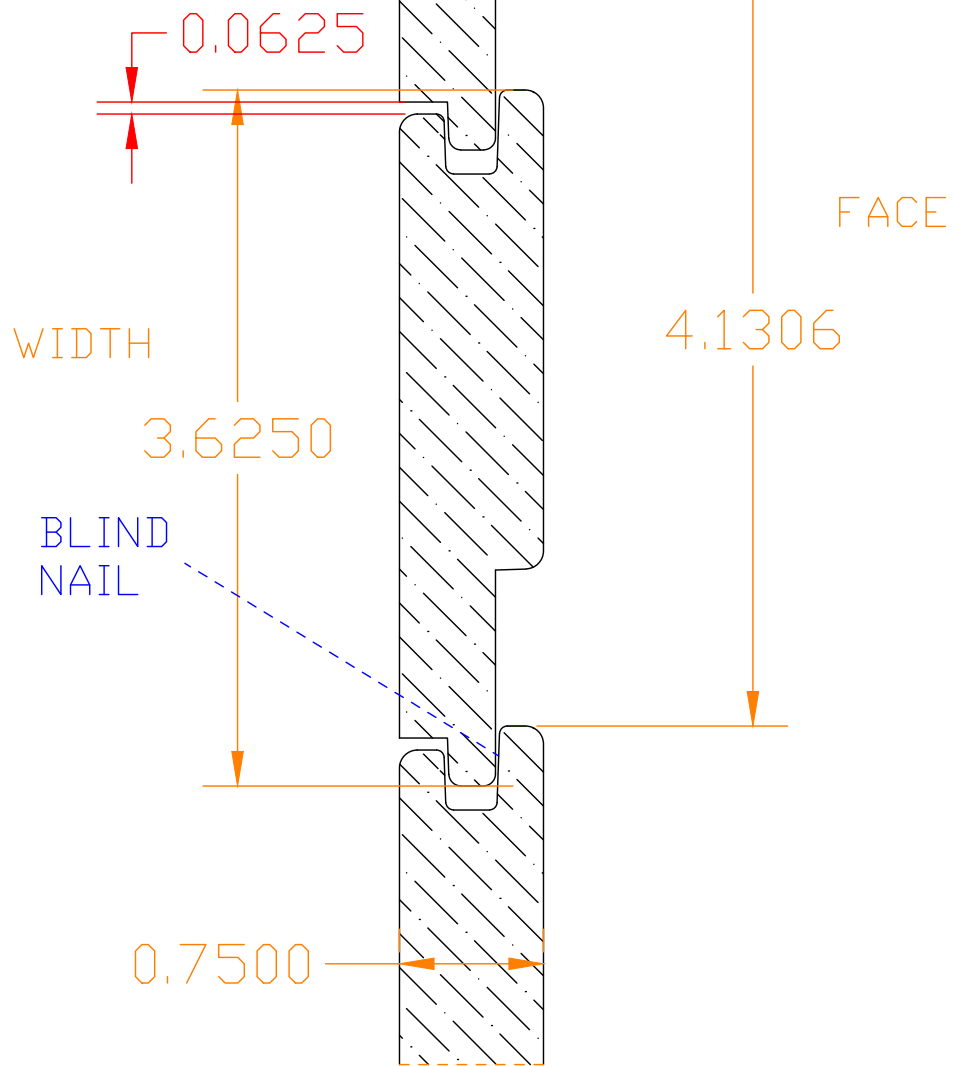


GAP  $\frac{1}{16}$ " DURING  
INSTALLATION  
FOR EXPANSION



ROOT RIVER HARDWOODS  
RR 522  
SCALE: 1'-0"=1'-0"