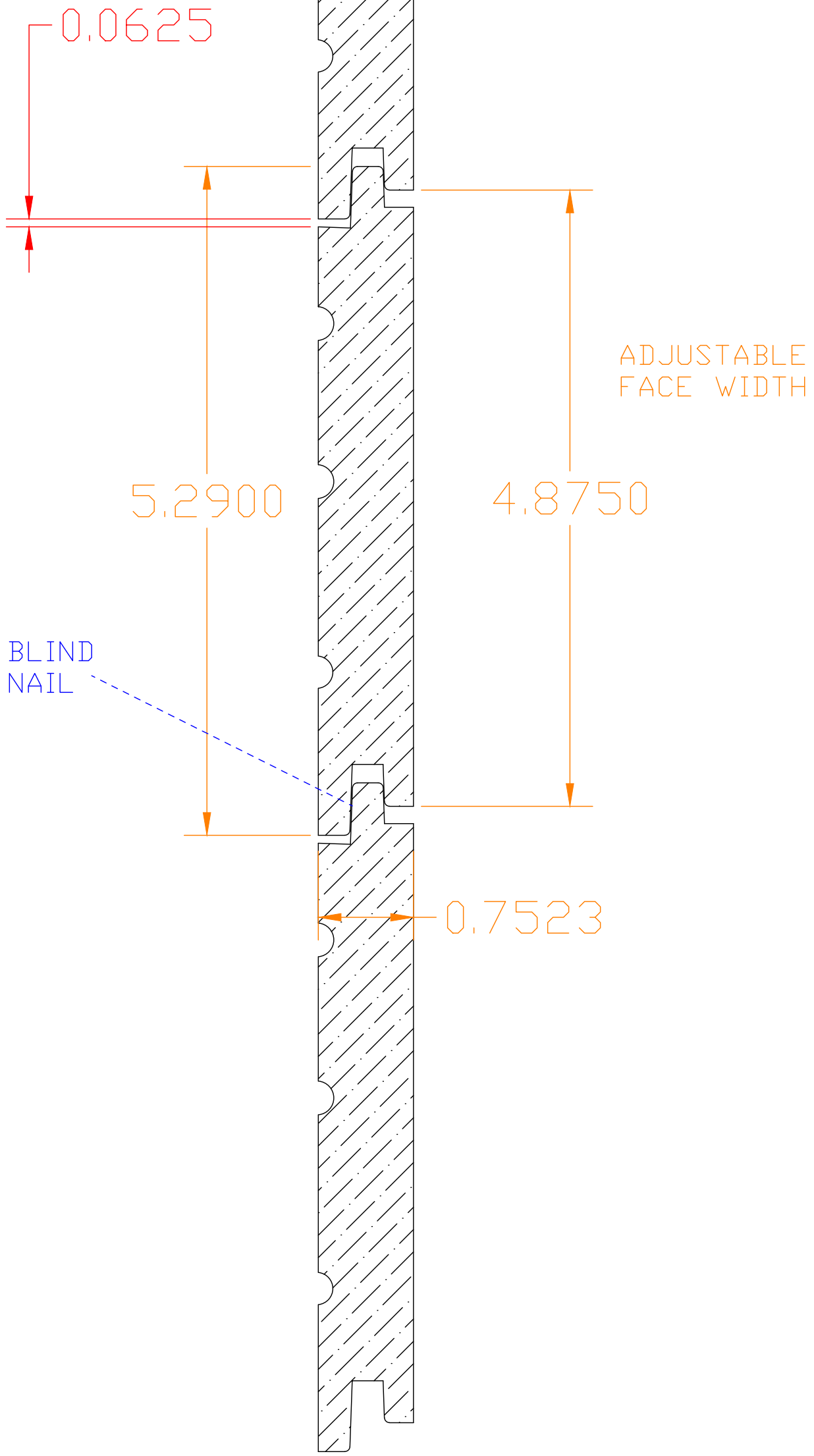


GAP .0625 DURING  
INSTALLATION  
FOR EXPANTION



ROOT RIVER HARDWOODS  
RR 521  
SCALE: 1'-0"=1'-0"