

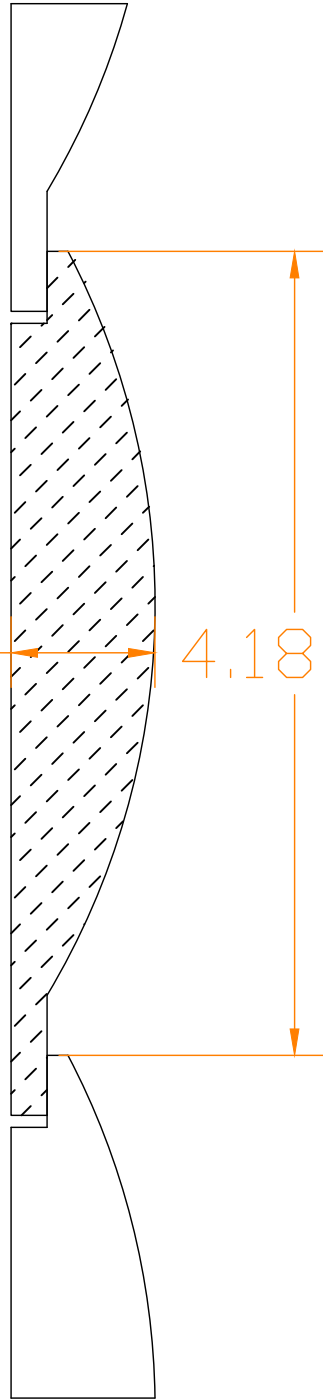
GAP  $\frac{1}{16}$ "  
DURING  
INSTALLATION  
FOR  
EXPANSION

0.0625

0.7498

4.1875

FACE



ROOT RIVER HARDWOODS  
RR 507  
SCALE: 1'-0"=1'-0"